

PROCESSOR
252 SHEET 4
DSP AUDIO

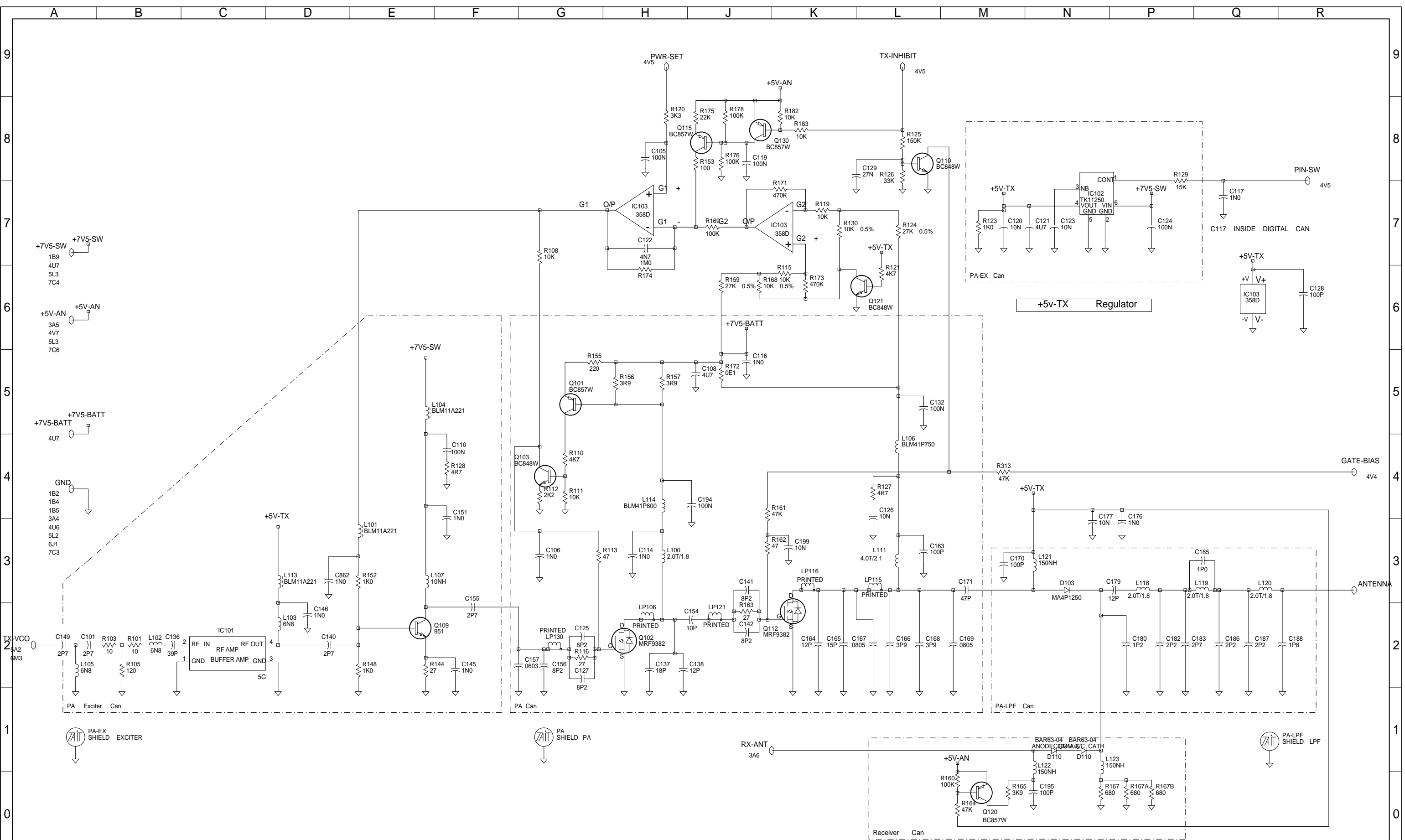
RECEIVER
246 GND RX-ANT SHEET 3

SYNTH-VCO
2922 GND
VCO sheet 6

POWER-AMP
93 GND RX-ANT SHEET 2

| | |
|------------------------------|----------------------|
| © TAIT ELECTRONICS | |
| ORCA :TOP- SYSTEM DIAGRAM | 900MHZ |
| IPN: 220-01610-01 | ISSUE: C 2.SC. 1 |
| PROJECT: ORCA | DESIGNER: BRD/TS |
| FILE NAME: 161001c | FILE DATE: 29-Oct-99 |
| NO.SHEETS: 7 | |

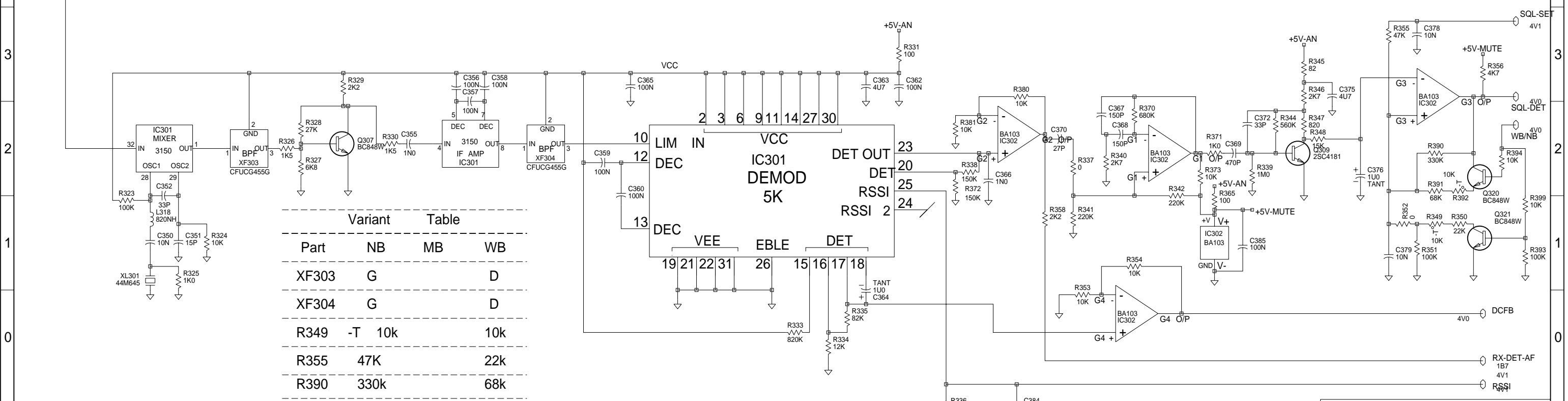
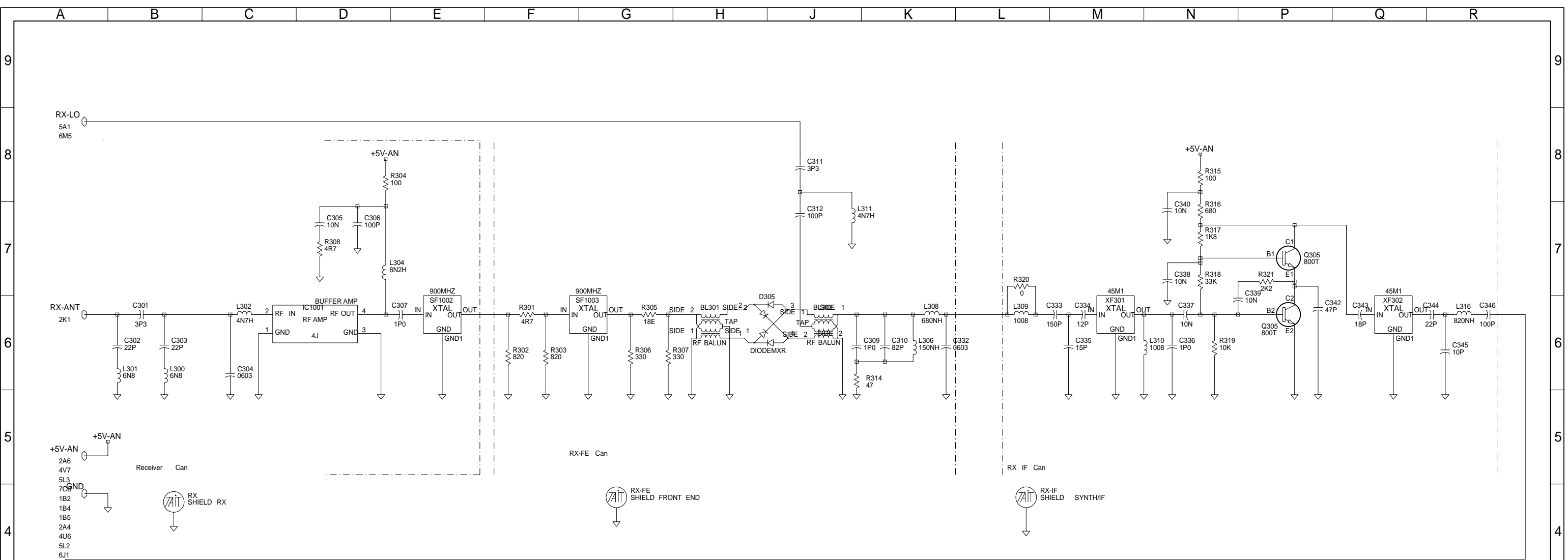
| | | | | | |
|---------|------------------------------|-------|------|------|-----------|
| 01C | D103 > MA4P1250. ECO 50-0411 | TS | | | 29-10-99 |
| 01B | | BRD | | | 02/07/99 |
| REV/ISS | AMENDMENTS | DRAWN | CHKD | D.O. | APVD DATE |



L121 L122 L123 150n 1008

| | |
|---------------------------|----------------------|
| © TAIT ELECTRONICS | |
| ORCA :TOP-POWER AMPLIFIER | 900MHZ |
| IPN: 220-01610-01 | ISSUE: C 2.SC. 2 |
| PROJECT: ORCA | DESIGNER: BRD/TS |
| FILE NAME: 161001c | FILE DATE: 29-Oct-99 |
| NO.SHEETS: 7 | |

| REV/ISS | AMENDMENTS | DRAWN | CHKD | D.O. | APVD | DATE |
|---------|------------|-------|------|------|------|------|
| A | | | | | | |
| B | | | | | | |
| C | | | | | | |
| D | | | | | | |
| E | | | | | | |
| F | | | | | | |
| G | | | | | | |
| H | | | | | | |
| J | | | | | | |
| K | | | | | | |
| L | | | | | | |
| M | | | | | | |
| N | | | | | | |
| P | | | | | | |
| Q | | | | | | |
| R | | | | | | |

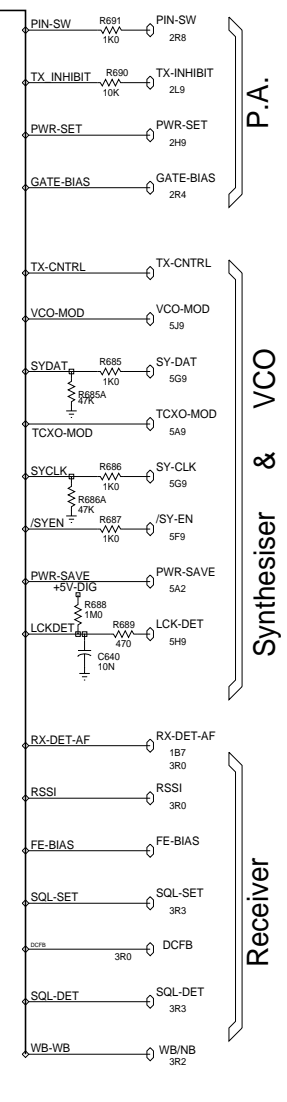
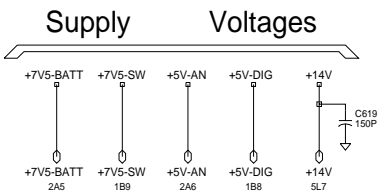
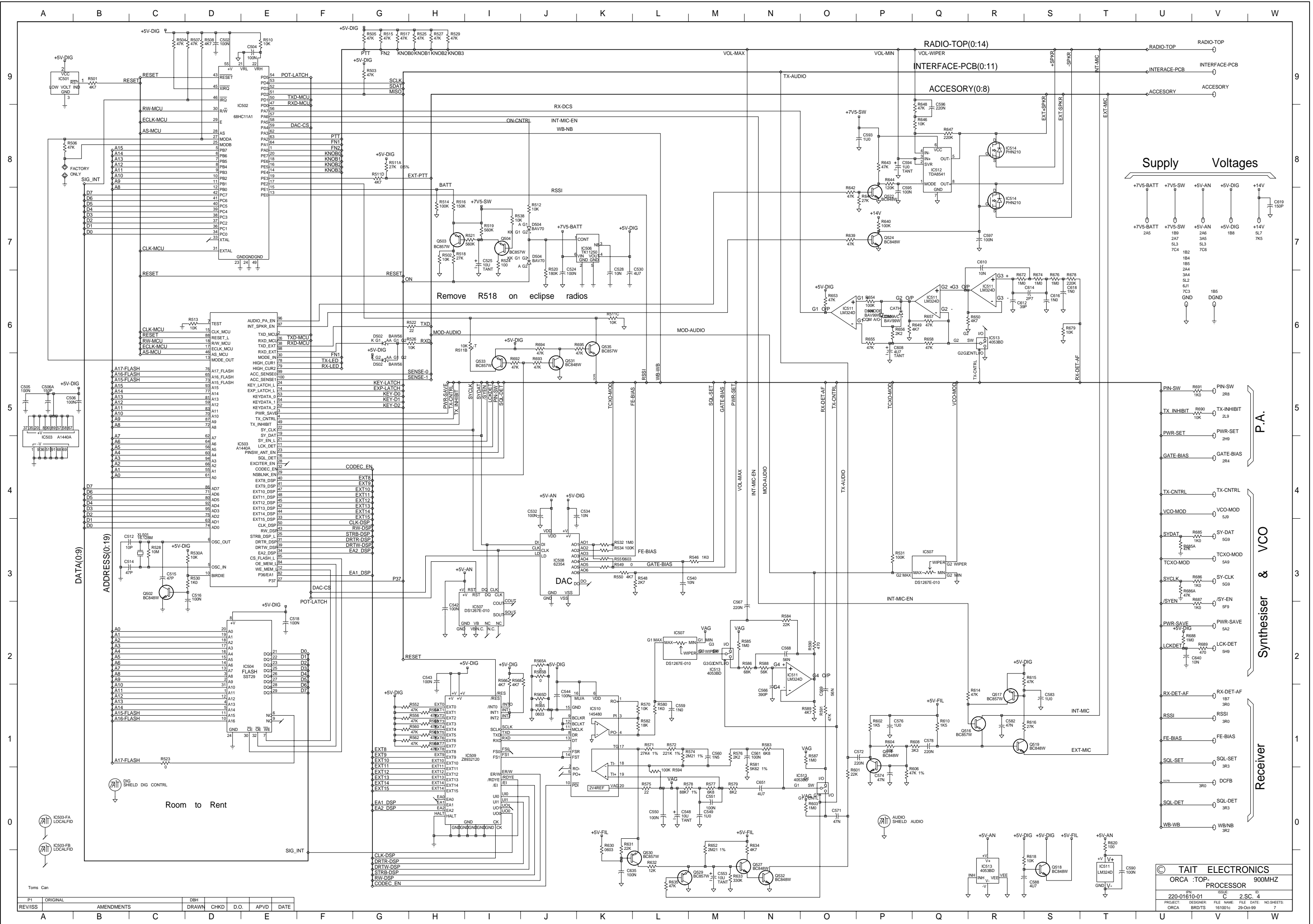


Variant Table

| Part | NB | MB | WB |
|-------|------|-----|------|
| XF303 | G | | D |
| XF304 | G | | D |
| R349 | -T | 10k | 10k |
| R355 | 47K | | 22k |
| R390 | 330k | | 68k |
| C370 | 27p | | 22P |
| C369 | 470p | | 330P |

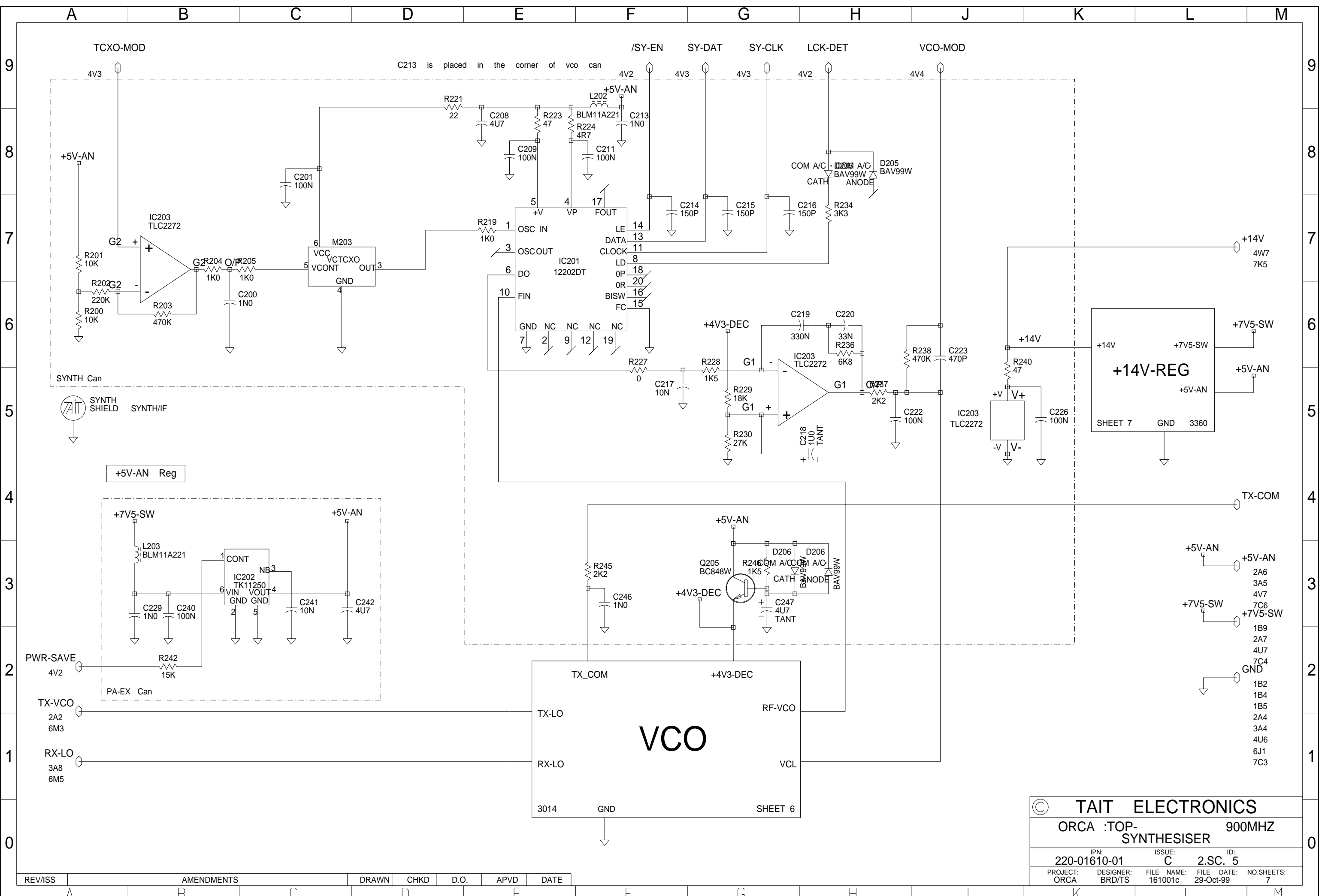
© TAIT ELECTRONICS
 ORCA :TOP- 900MHZ
 RECEIVER
 IPN: 220-01610-01
 ISSUE: C
 ID: 2.S.C. 3
 PROJECT: ORCA
 DESIGNER: BRD/TS
 FILE NAME: 161001c
 FILE DATE: 29-Oct-99
 NO.SHEETS: 7

| REV/ISS | AMENDMENTS | DRAWN | CHKD | D.O. | APVD | DATE |
|---------|------------|-------|------|------|------|------|
| A | | | | | | |



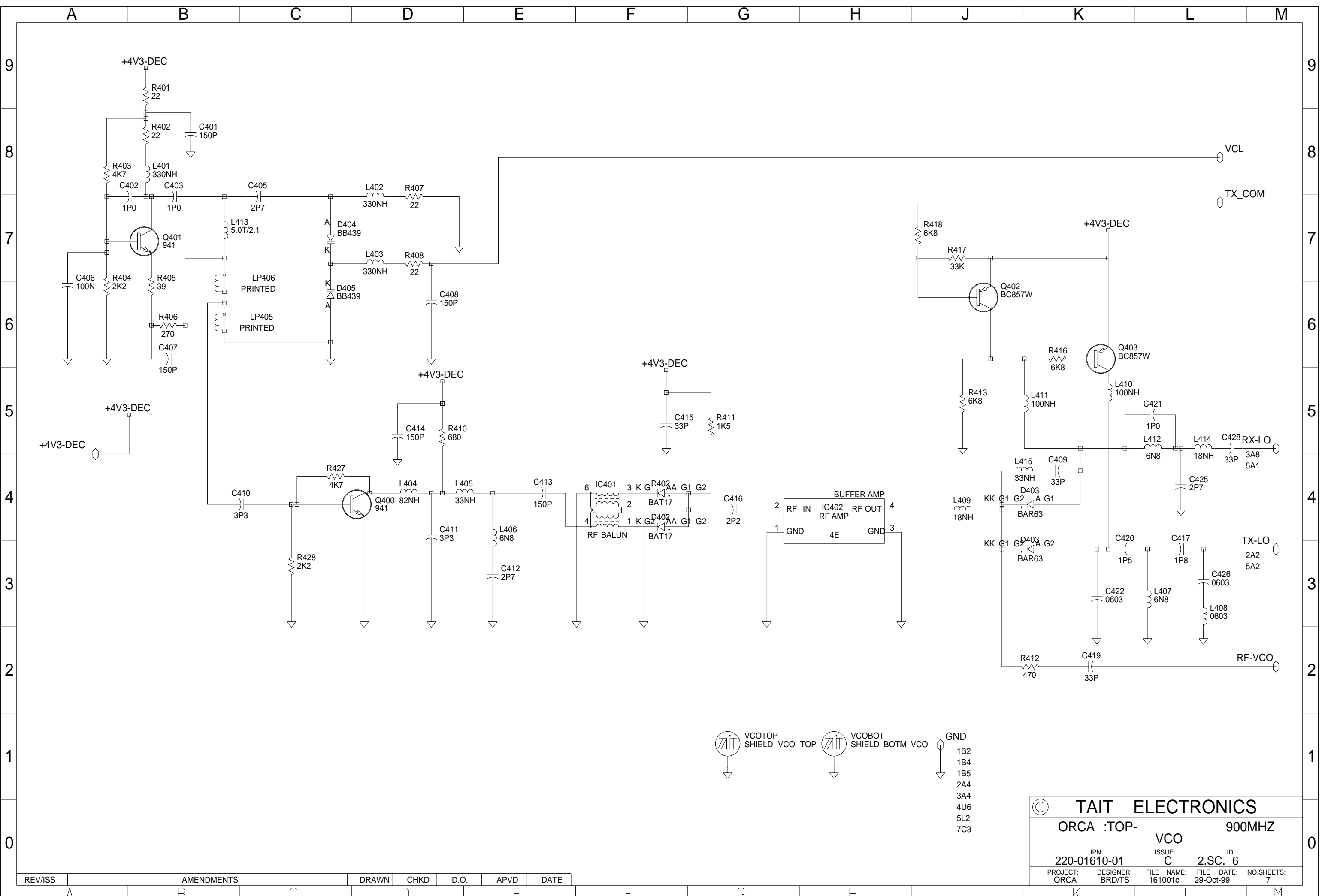
| | |
|---|----------------------------|
| © TAIT ELECTRONICS | |
| ORCA :TOP- | 900MHZ |
| PROCESSOR | |
| 220-01610-01 | C 2-SC 4 |
| PROJECT: DESIGNER: FILE NAME: FILE DATE: NO SHEETS: | ISSUE: 161001c 29-Oct-99 7 |

| REV/ISS | P1 ORIGINAL | AMENDMENTS | DRAWN | CHKD | D.O. | APV/D | DATE |
|---------|-------------|------------|-------|------|------|-------|------|
| A | | | | | | | |



© TAIT ELECTRONICS
 ORCA :TOP- 900MHZ
 SYNTHESISER
 IPN: 220-01610-01 ISSUE: C ID: 2.SC. 5
 PROJECT: ORCA DESIGNER: BRD/TS FILE NAME: 161001c FILE DATE: 29-Oct-99 NO.SHEETS: 7

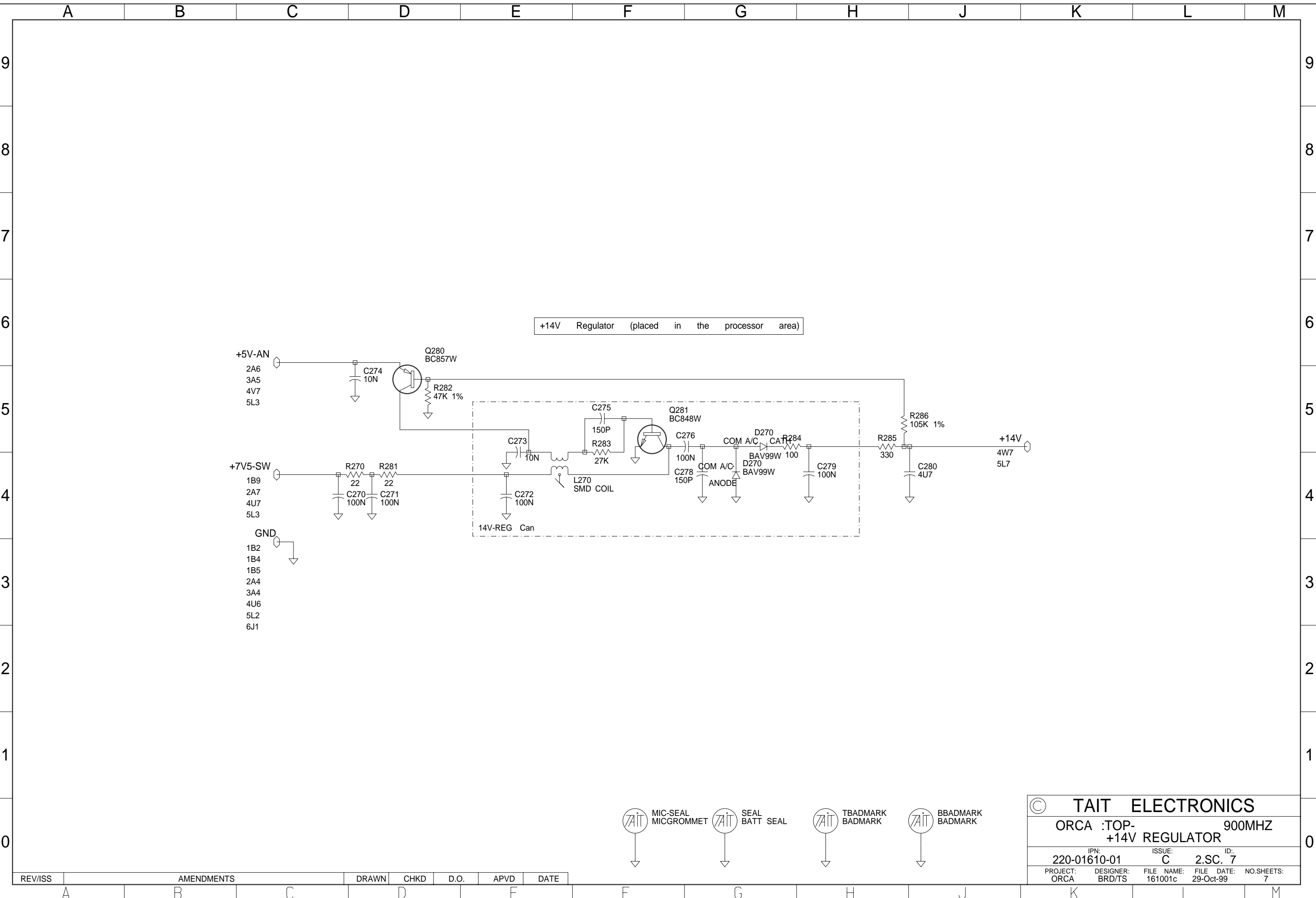
| REV/ISS | AMENDMENTS | DRAWN | CHKD | D.O. | APVD | DATE |
|---------|------------|-------|------|------|------|------|
| | | | | | | |



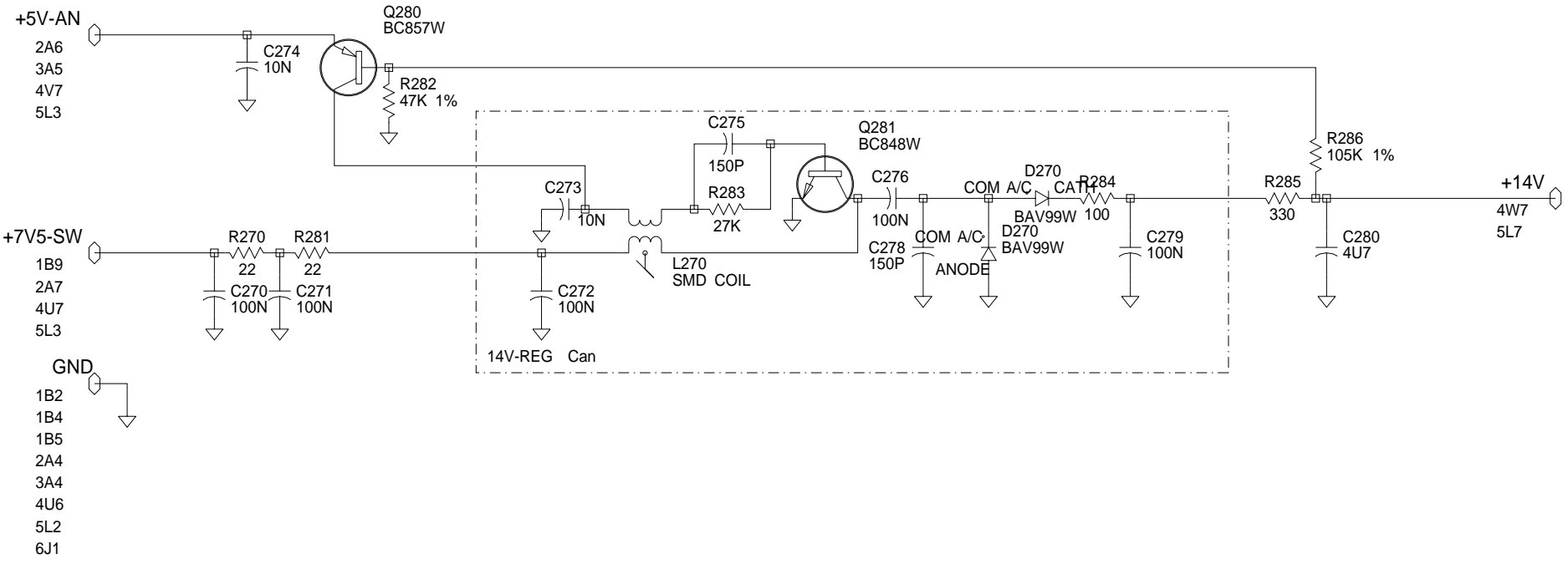
| | |
|----------------------|---------------------------------|
| © TAIT ELECTRONICS | |
| ORCA :TOP- | 900MHZ |
| VCO | |
| IPN: 220-01610-01 | ISSUE: C |
| PROJECT: ORCA | ID.: 2.SC. 6 |
| DESIGNER: BRD/TS | FILE DATE: 161001c 29-Oct-99 |
| NO.SHEETS: 7 | |





| REV/ISS | AMENDMENTS | DRAWN | CHKD | D.O. | APVD | DATE |
|---------|------------|-------|------|------|------|------|
| | | | | | | |

VCOTOP SHIELD VCO TOP
 VCOBOT SHIELD BOTM VCO
 GND
 1B2
 1B4
 1B5
 2A4
 3A4
 4U6
 5L2
 7C3



+14V Regulator (placed in the processor area)



-  MIC-SEAL MICGROMMET
-  SEAL BATT SEAL
-  TBADMARK BADMARK
-  BBADMARK BADMARK

| | | | | |
|--------------------|------------------|--------------------|----------------------|--------------|
| © TAIT ELECTRONICS | | | | |
| ORCA :TOP- | | 900MHZ | | |
| +14V REGULATOR | | | | |
| IPN: 220-01610-01 | | ISSUE: C | | ID: 7 |
| PROJECT: ORCA | DESIGNER: BRD/TS | FILE NAME: 161001c | FILE DATE: 29-Oct-99 | NO.SHEETS: 7 |

| REV/ISS | AMENDMENTS | DRAWN | CHKD | D.O. | APVD | DATE |
|---------|------------|-------|------|------|------|------|
| | | | | | | |